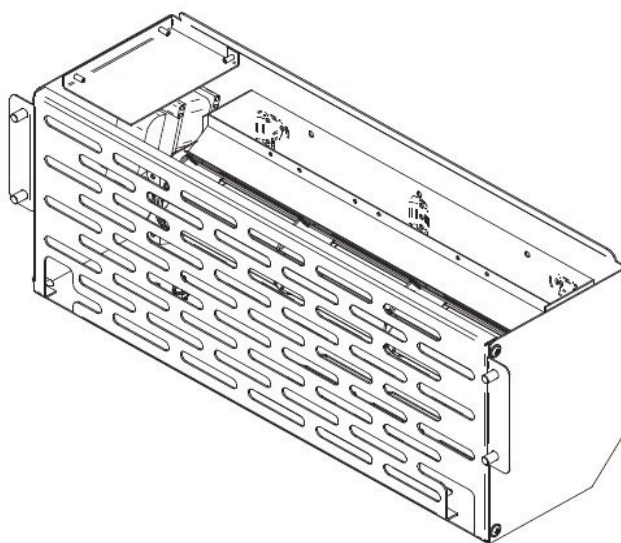




**MODEL:
R5000 WOOD FIRE**

INSTRUCTION FOR FAN INSTALLATION



HARDWARE PACK

ITEM	PART ID	DESCRIPTIONS	QTY
1	521045	SCREW; M6X10 PAN POZI BLK	4
2	594786	DECAL FAN OPERATION PEDESTAL	1



CAUTION:

YOU NEED A POWER POINT ON THE WALL, SO THAT YOU CAN PLUG IN THE FAN. **NO POWER POINT SHALL BE LOCATED IMMEDIATELY ABOVE THE HEATER. IF ANY ELECTRICAL WORK IS REQUIRED, IT MUST BE CARRIED OUT BY A LICENSED ELECTRICIAN. IN SOME REGIONS POWER POINTS ARE NOT PERMISSIBLE WITHIN THE FLOOR PROTECTOR AREA, PLEASE CHECK WITH YOUR LOCAL AUTHORITY.**

FAN BOX INSTALLATION:

PEDESTAL VERSION (Figure 1)

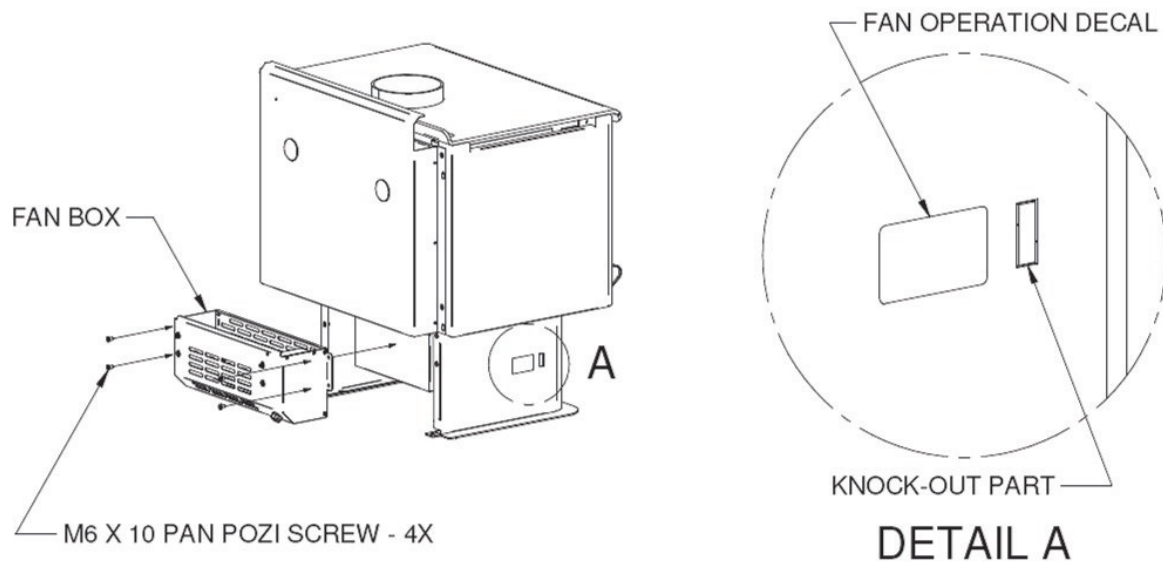


Figure 1. Pedestal version installation

1. Break out the 'knock out' part on the left face of the pedestal (looking from the front) to allow the switch to be inserted.
2. Remove the sharp tabs left in the hole with a file.
3. Stick the fan operation label next to this hole.
4. Fit the 1/4 brass spade terminal using fasteners in the same sequence at the bottom of the pedestal, as shown in Figure 2. Ensure that is done tight (This may have been already done in the factory).
5. Stick the earth decal next to the earth tab. (This may have been already done in the factory).
6. Remove switch from wiring loom.
7. Feed the wiring loom up the cavity next to the ash box.
8. Feed the end through the knockout fan switch hole, shown in Detail A.
9. Refit the switch to the wiring loom.
10. Ensure wires to be connected in Figure 3, and then press the switch into the rectangular knocked off rectangular hole, 'II' should be above '0'. It should snap firmly into place.

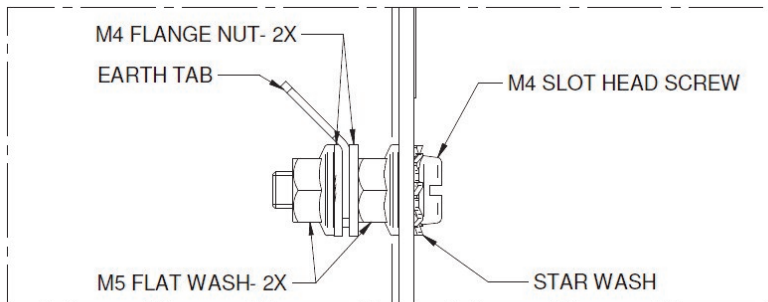


Figure 2. Earth connection installation

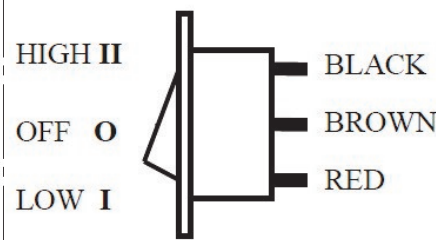


Figure 3. Fan switch

11. Connect the loose earth wire (green) to the brass tab at rear of the left side of pedestal, this is a push-on connection.
12. Lift the fan assembly and secure to the back of the pedestal with 4 black screws supplied. For ease of fitment, put the top screws first, then the bottom ones as shown in Figure 1.
13. Plug the 3-pin plug into the wall outlet and test the operation of the fan.

LEG VERSION (Figure 4)

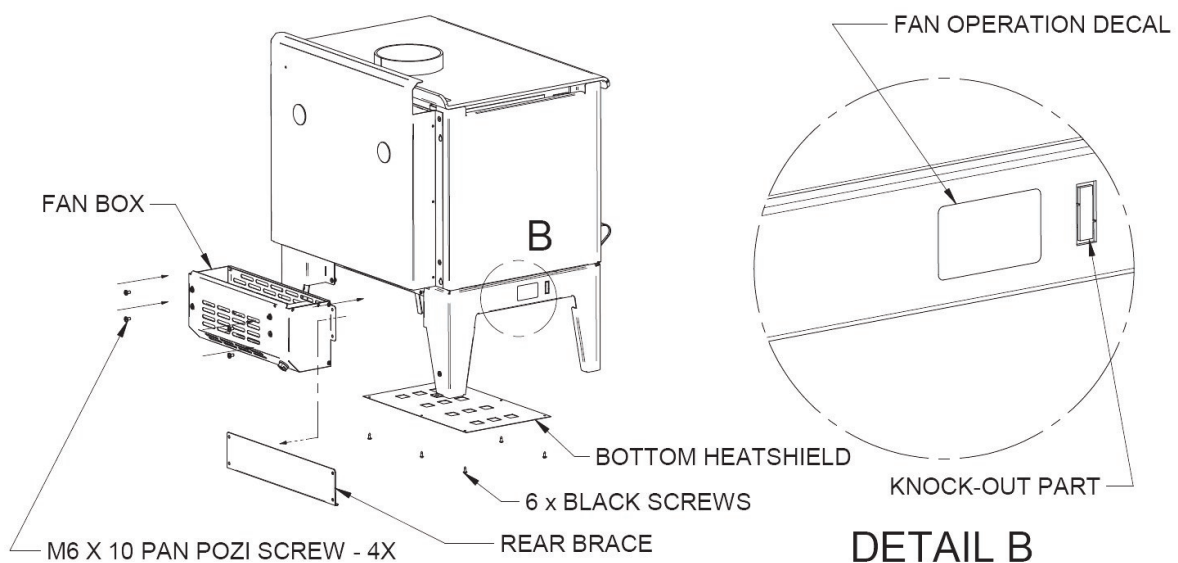


Figure 4. Leg version installation

1. Break out the 'knock out' part on the left side of the leg (looking from the front) to allow the switch to be inserted.
2. Remove the sharp tabs left in the hole with a file.
3. Stick the fan operation decal next to this hole. Remove the rear brace from the back of the heater, as shown in Figure 4 and discard this part.
4. Fit the supplier 1/4 brass spade terminal using fasteners in the same sequence at the back of the heater, as shown in Figure 2. Ensure that is done tight (This may have already done in the factory).

5. Remove switch from wiring loom.
6. Remove bottom heatshield by unfastening 6 black screws ref. Fig 4.
7. Lift and support the fan whilst feeding the wiring loom through square hole in rear channel of the leg.
8. Continue to feed the end through the knockout fan switch hole, shown in Fig 4 Detail B.
9. Fasten fan assembly into position and fit to the back of the leg with 4 black screws supplied. For ease of fitment, put the top screws first, then the bottom ones as shown in Figure 4.
10. Refit the switch to the wiring loom.
11. Ensure wires to be connected in Figure 3, and then press the switch into the knockout rectangular hole, 'II' should be above 'O'. It should snap firmly into place.
12. Connect the loose earth wire (green) to the brass tab at rear channel of the leg, this is a push-on connection.
13. Refit the bottom heatshield by fastening 6 black screws ref. Fig 4.
14. Plug the 3-pin plug into the wall outlet and test the operation of the fan.

Circuit Diagram (Figure 5)

The circuit diagram is shown as follows in Figure 5.

Figure 5. Circuit Diagram—Revision A

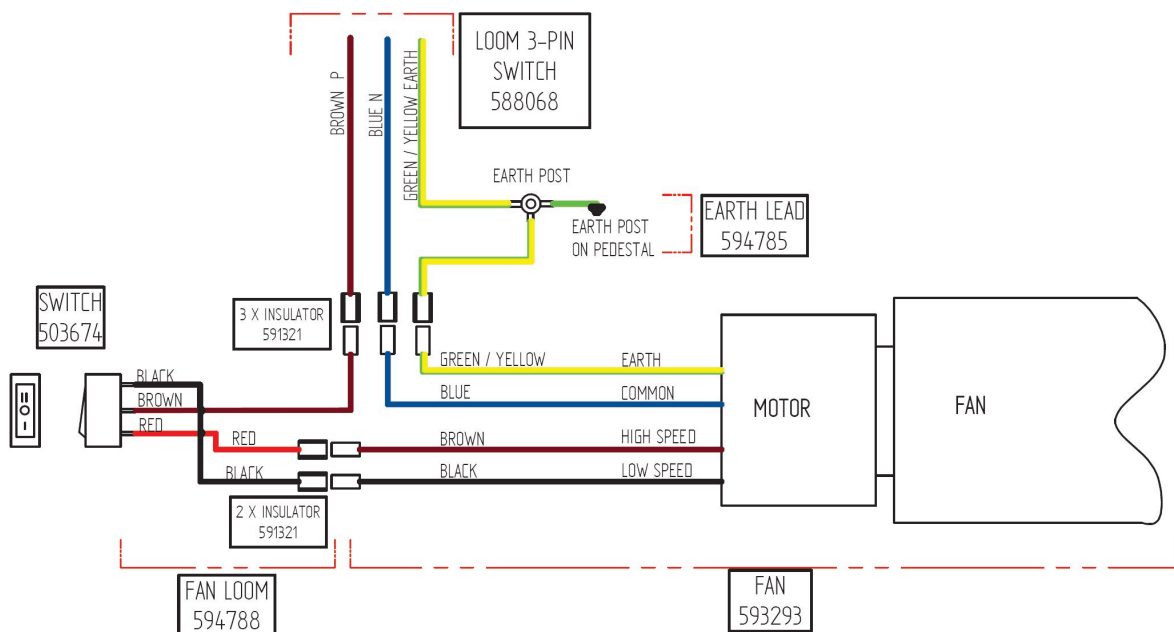
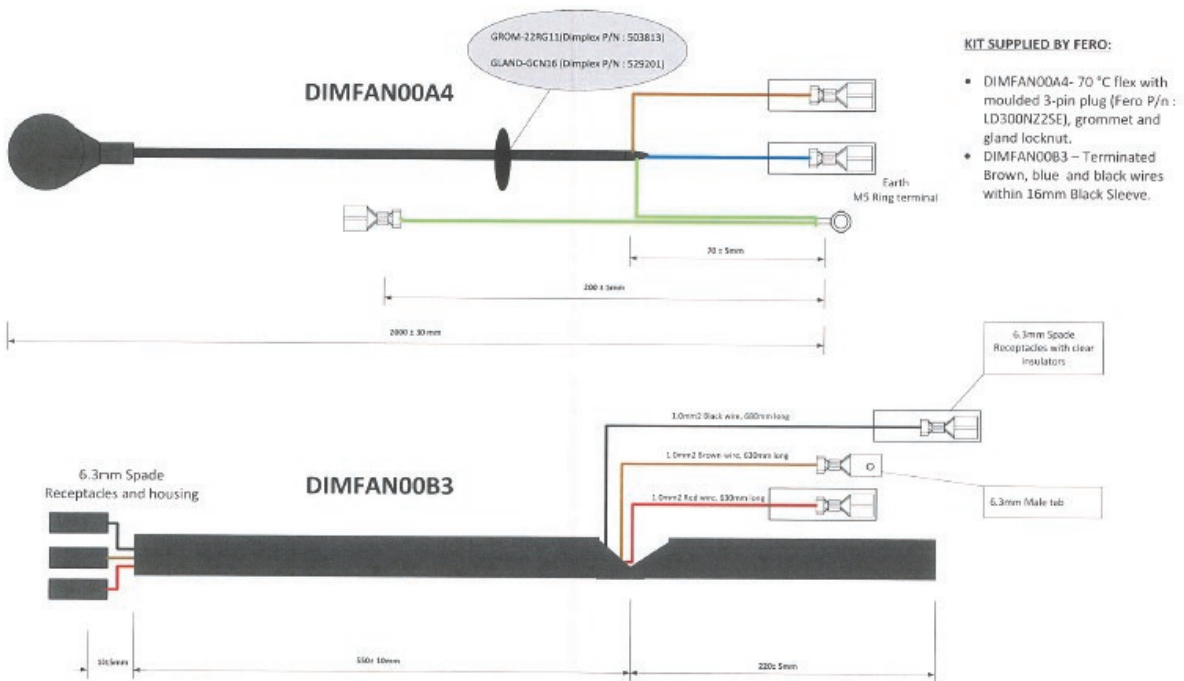
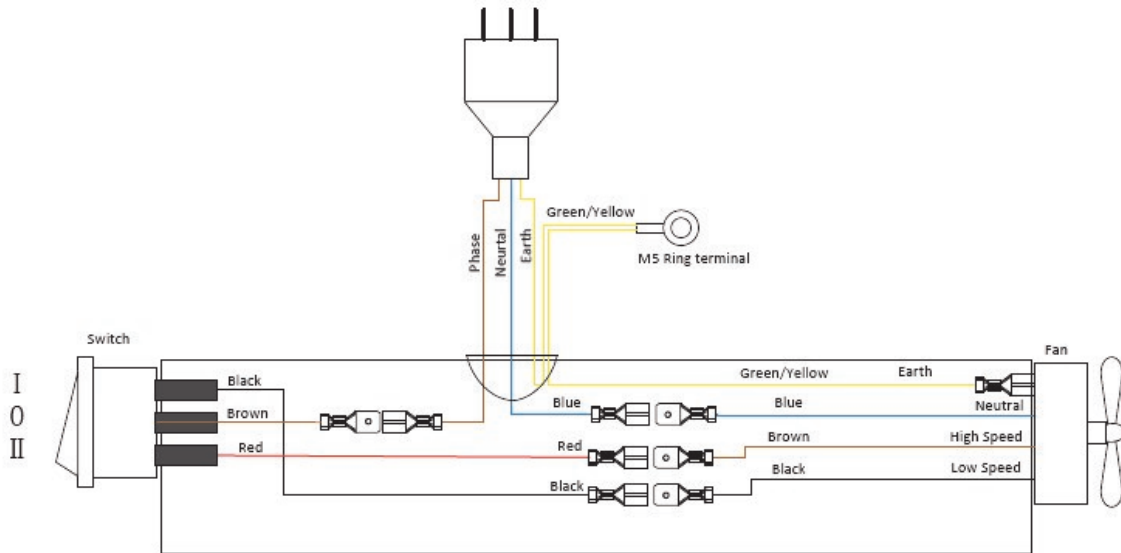


Figure 5. Circuit Diagram—Revision B— 15.11.2013



AIRSLIDE REPLACEMENT (NZ MODEL ONLY):

In New Zealand, a special Airslide marked 983278 must be fitted if the fan is installed. Procedure for replacing Air Slide is shown as follows:

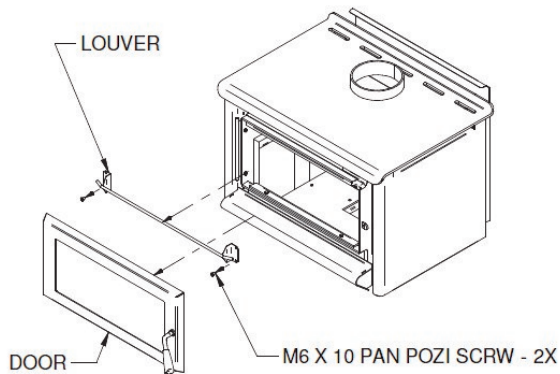


Figure 6. Step one

Step One (Figure 6):

1. Remove the door from the heater.
2. Remove 2 x (M6X10) screws which fasten the louver in position.
3. Remove the louver from the heater.

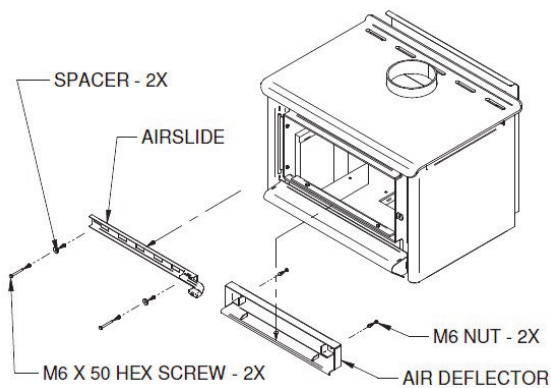


Figure 7. Step two

Step Two (Figure 7):

1. Remove 2 x M6 nuts from the back of the air deflector, remove bolts and spacers from front, hold air deflector in place as you do this.
2. Remove the Airslide from the heater and discard this part marked 983221.

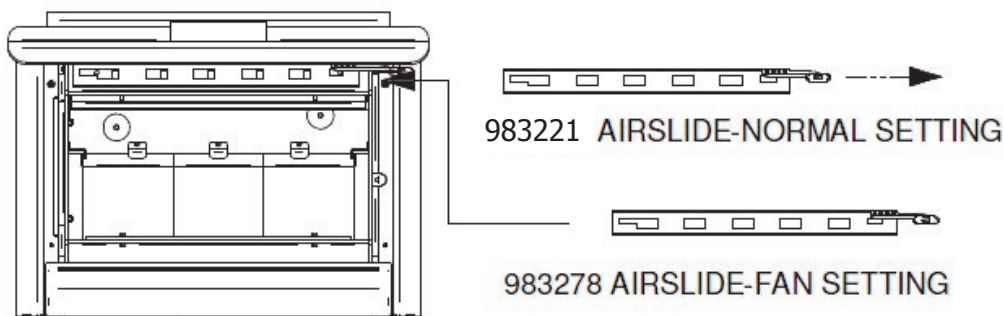


Figure 8. Step three

Step Three (Figure 8):

1. Discard Airslide part 983221 air and replace it with Airslide part 983278.

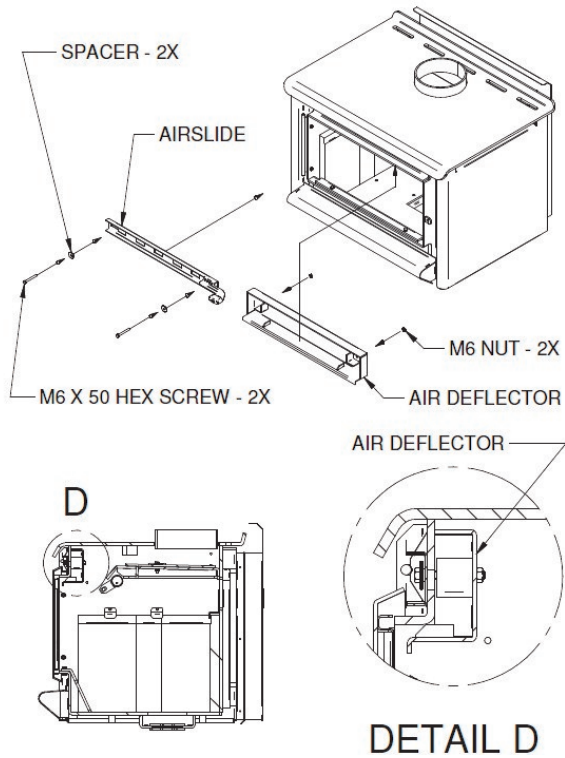


Figure 9. Step four

Step Four (Figure 9):

1. While holding the deflector in correct position ref detail D of Fig 9, refit the new Airslide (983278) to the front of the heater.
2. Refit 2 spacers and 2 x (M6X50) bolts back to the top front of the heater.
3. Tighten the 2 x M6 nuts to the back of the air deflector to secure all the parts together.

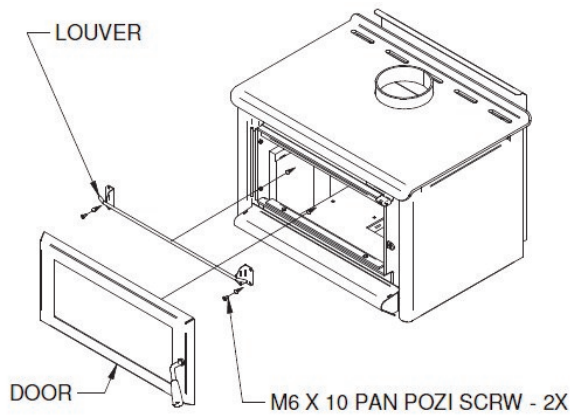


Figure 10. Step five

Step Five (Figure 10):

1. Refit the louver to the top of the heater using the 2 x (M6X10) screws.

SAFETY:

THE APPLIANCE IS NOT INTENDED FOR USE BY YOUNG CHILDREN OR INFIRM PERSONS WITHOUT SUPERVISION.

SUPERVISE YOUNG CHILDREN TO ENSURE THEY DO NOT PLAY WITH THE APPLIANCE.

IF A SUPPLY CORD IS DAMAGED, IT MUST BE REPLACED BY THE MANUFACTURER, ITS SERVICE AGENT OR A SUITABLY QUALIFIED PERSON, IN ORDER TO AVOID ELECTRICAL HAZARD.

MAINTENANCE:

THE FAN SHOULD NEED LITTLE ATTENTION OTHER THAN OCCASIONALLY (PERHAPS ONCE A YEAR) REMOVING IT TO CLEAN DUST AND LINT FROM THE IMPELLER. FIRST UNPLUG THE MAINS LEAD FROM THE POWER POINT. REMOVE THE FAN BY UNDOING THE 4 SCREWS HOLDING IT IN POSITION. CLEAN THE IMPELLER BLADES CAREFULLY BY BLOWING OR VACUUMING. DO NOT APPLY FORCE TO THE IMPELLERS. REINSTALL THE FAN.

OPERATING HINTS FOR CLEAN BURNING AND BEST EFFICIENCY:

SWITCH OFF THE CIRCULATING FAN WHEN THE FIRE IS BURNING AT LOW HEAT OUTPUTS. USE ONLY THE SLOW FAN SPEED AT MEDIUM HEAT OUTPUT, MOVING TO THE HIGHER SPEED ONLY WHEN FULL HEAT OUTPUT HAS BEEN REACHED.

PLEASE REFER ALSO TO THE OWNERS MANUAL FOR THE FIRE FOR MORE INFORMATION.